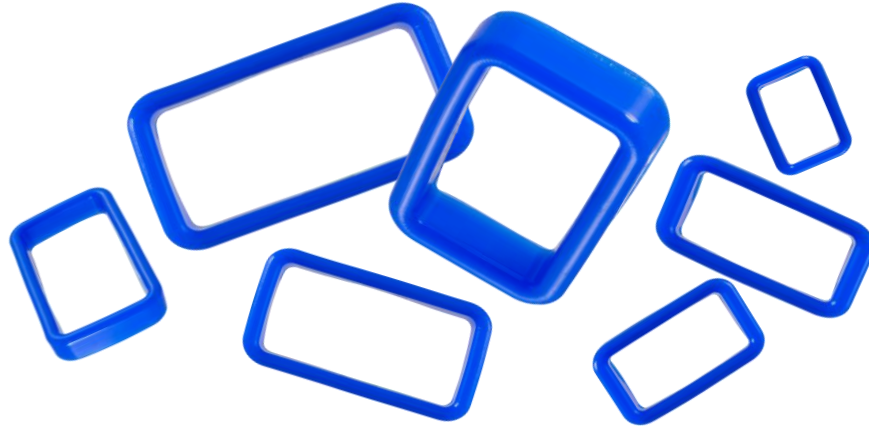


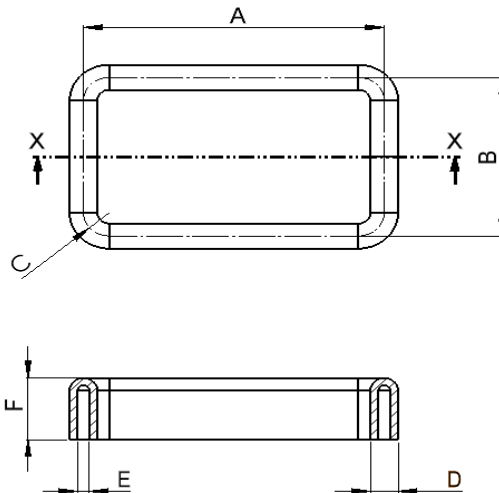
flexiguide

Product Specification

Double PDR Gaskets - rubber gaskets to connect a PDR (grooved) flange to a PDR (grooved) flange.



Part number	Used with two flanges type	A	B	C	D	E	F
RG10H-DH	PDR32	84.07	45.97	3.91	4.72	2.03	9.00
RG11H-DH	PDR40	69.34	40.13	3.91	4.72	2.03	9.00
RG12H-DH	PDR48	58.67	33.40	3.91	4.72	2.03	9.00
RG13H-DH	PDR58	51.56	31.24	3.91	4.72	2.03	9.00
RG14H-DH	PDR70	44.70	25.91	3.30	3.56	1.52	9.00
RG15H-DH	PDR84	38.61	22.61	3.30	3.56	1.52	9.00
RG16H-DH	PDR100	32.26	19.56	3.30	3.56	1.52	9.00
RG17H-DH	PDR120	28.17	18.67	3.30	3.56	1.52	9.00
RG18H-DH	PDR140	24.21	16.28	3.30	3.56	1.52	9.00



SECTION X-X