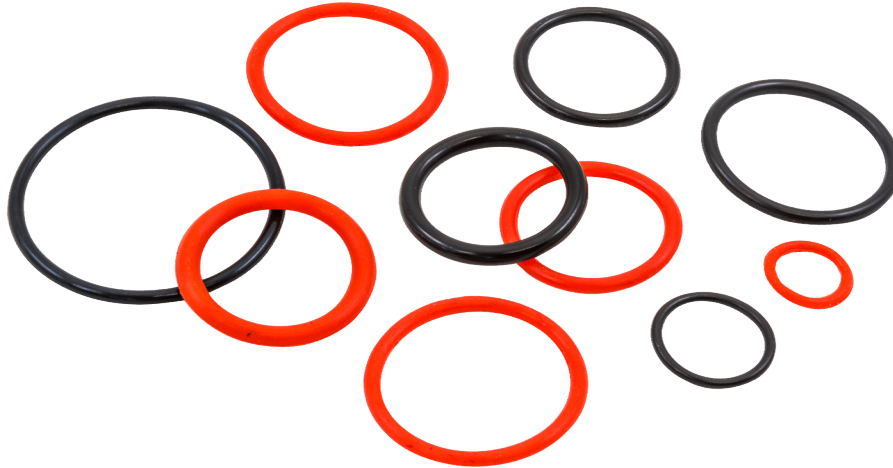


# flexiguide

## Product Specification

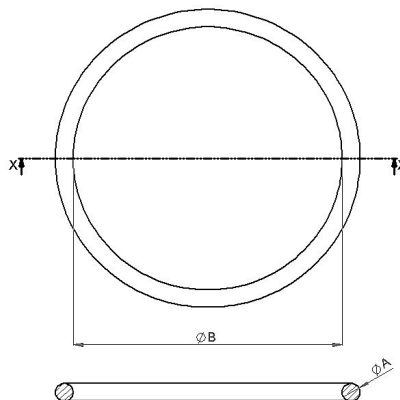
O-rings to connect a grooved flange to a flat flange.



Part Number	Waveguide Size	Used with Grooved Flanges	Ø A	Ø B
OR12A-Y-SH	WG12 / WR187 / R48	12A (UG Choke) or 12Y (UG Cover + Groove)	3.00	68.00
OR14A-Y-SH	WG14 / WR137 / R70	14A (UG Choke) or 14Y (UG Cover + Groove)	3.53	53.57
OR15A-Y-SH	WG15 / WR112 / R84	15A (UG Choke) or 15Y (UG Cover + Groove)	2.40	39.60
OR16A-Y-SH	WG16 / WR90 / R100	16A (UG Choke) or 16Y (UG Cover + Groove)	2.40	34.60
OR17A-Y-SH	WG17 / WR75 / R120	17A (UG Choke) or 17Y (UG Cover + Groove)	1.78	28.30
OR18A-Y-SH	WG18 / WR62 / R140	18A (UG Choke) or 18Y (UG Cover + Groove)	3.53	23.39
OR20A-Y-SH	WG20 / WR42 / R220	20A (UG Choke) or 20Y (UG Cover + Groove)	1.50	15.00
OR21Y-SH	WG21 / WR34 / R260	21Y (UG Cover + Groove)	1.50	15.00
OR22A-Y-SH	WG22 / WR28 / R320	22A (UG Choke) or 22Y (UG Cover + Groove)	1.78	10.82
OR23Y-SH	WG23 / WR22 / R400	23Y (UG383/U + Groove)	1.00	9.00
OR15G-K-SH	WG15 / WR112 / R84	15G (CBR84) or 15K (PBR84)	2.62	39.35
OR16G-K-SH	WG16 / WR90 / R100	16G (CBR100) or 16K (PBR100)	2.62	33.00
OR17G-K-SH	WG17 / WR75 / R120	17G (CBR120) or 17K (PBR120)	2.62	28.25
OR18G-K-SH	WG18 / WR62 / R140	18G (CBR140) or 18K (PBR140)	2.62	23.47
OR19G-K-SH	WG19 / WR51 / R180	19G (CBR180) or 19K (PBR180)	2.40	19.60
OR20G-K-SH	WG20 / WR42 / R220	20G (CBR220) or 20K (PBR220)	1.78	15.60
OR21G-K-SH	WG21 / WR34 / R260	21G (CBR260) or 21K (PBR260)	1.78	14.00
OR22G-K-SH	WG22 / WR28 / R320	22G (CBR320) or 22K (PBR320)	1.60	11.10
OR12R-W-SH	WG12 / WR187 / R48	12R (PAR48) or 12W (CAR48)	3.53	69.40
OR13R-W-SH	WG13 / WR159 / R58	13R (PAR58) or 13W (CAR58)	3.53	59.92
OR14R-W-SH	WG14 / WR137 / R70	14R (PAR70) or 14W (CAR70)	3.53	53.57

Material: Silicone Rubber

Colour: Red



SECTION X-X