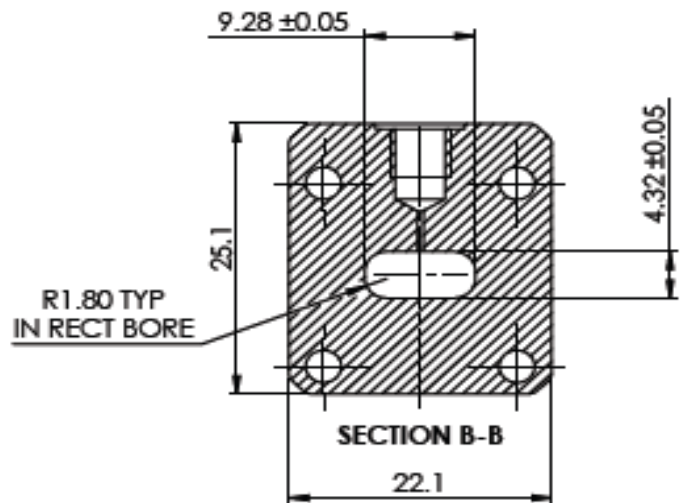
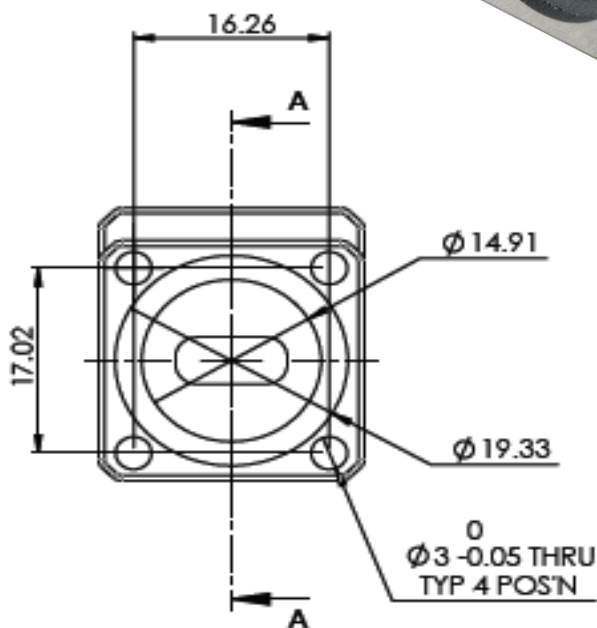


Product Specification



Part Number:

PI21Y-P-*-FK

* = see options below

Description

Product Type:
Waveguide Size:
Flange Type:
Flange Material / Plating:
* Paint Finish:
Accessories:

Pressure Inlet
WG21 / WR34 / R260
21Y (UG Cover + Groove)
Aluminium / Passivation
G = Gray (RAL 7012), B = Black, W = White
Screws, Nuts, Washers, O-Ring(s) / Gasket(s)

Mechanical Specifications

Thread Size:
Thickness:
O-ring Groove Depth:

M5
12 mm / 0.5 inches
1.07 mm / 0.042 inches

Electrical Specifications

Frequency Range: 22.0 - 33.0 GHz
Insertion Loss: 0.05 dB
Return Loss: 32.3 dB

Environmental Performance

Temperature Range: -70 to +150°C
ETSI Class: ETSI EN 300-019-2-4 Class 4.1
I.P. Rating: IP65 (Weatherproof)