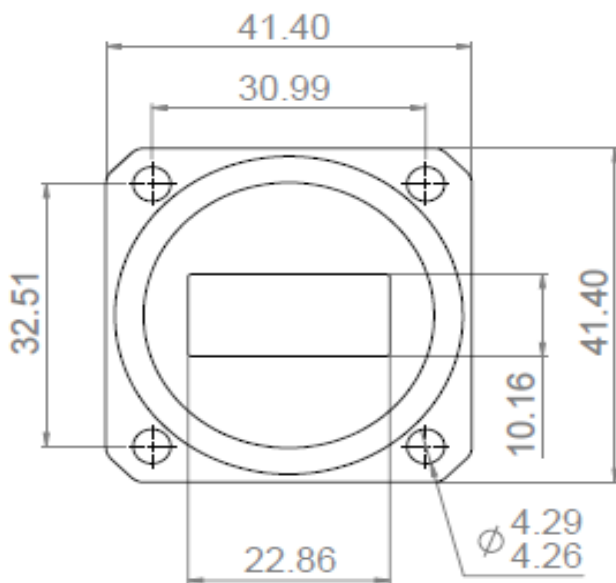


Product Specification

Sealing Shims - metal waveguide shims with integrated rubber gaskets on both sides. Used for connecting two flat flange faces together in a rectangular waveguide system to create a pressure tight/waterproof joint.



Part Number:

SS16K/Y

Description

Product Type:	Sealing Shim
Waveguide Size:	WG16 / WR90 / R100
Flange Face:	16K (PBR 100) / 16Y (UG 39/U + Groove)
Material:	Stainless Steel
Thickness:	1.0 mm
Accessories:	None