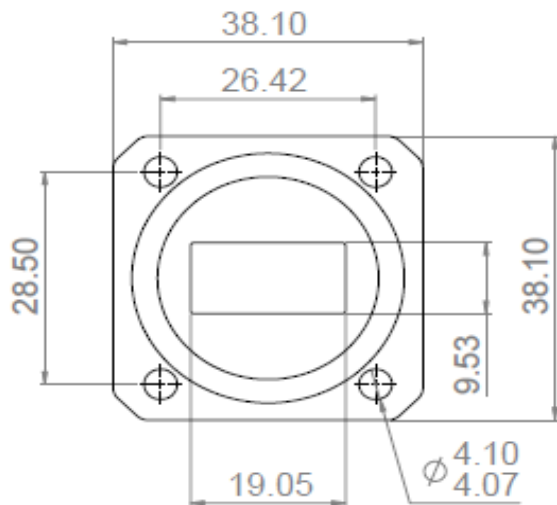


# flexiguide

## Product Specification

**Sealing Shims - metal waveguide shims with integrated rubber gaskets on both sides. Used for connecting two flat flange faces together in a rectangular waveguide system to create a pressure tight/waterproof joint.**



**Part Number:** SS17Y

### Description

Product Type:	Sealing Shim
Waveguide Size:	WG17 / WR75 / R120
Flange Face:	Compatible with 17Y (UG Cover + Groove)
Material:	Stainless Steel
Thickness:	1.0 mm
Accessories:	None