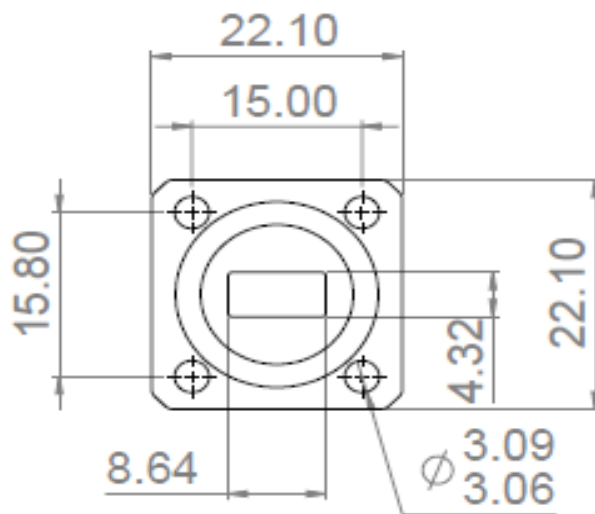


flexiguide

Product Specification

Sealing Shims - metal waveguide shims with integrated rubber gaskets on both sides. Used for connecting two flat flange faces together in a rectangular waveguide system to create a pressure tight/waterproof joint.



Part Number: SS21K

Description

Product Type:	Sealing Shim
Waveguide Size:	WG21 / WR34 / R260
Flange Face:	21K (PBR 260)
Material:	Stainless Steel
Thickness:	1.0 mm
Accessories:	None