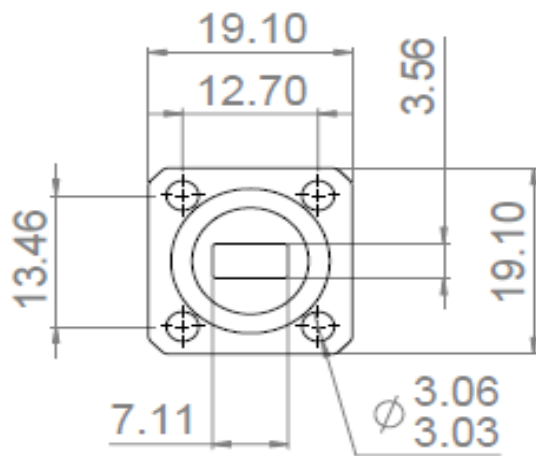
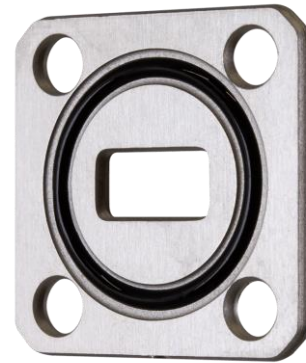


flexiguide

Product Specification

Sealing Shims - metal waveguide shims with integrated rubber gaskets on both sides. Used for connecting two flat flange faces together in a rectangular waveguide system to create a pressure tight/waterproof joint.



Part Number:

SS22K/Y

Description

Product Type:	Sealing Shim
Waveguide Size:	WG22 / WR28 / R320
Flange Face:	22K (PBR 320) / 22Y (UG 599/U + Groove)
Material:	Stainless Steel
Thickness:	1.0 mm
Accessories:	None