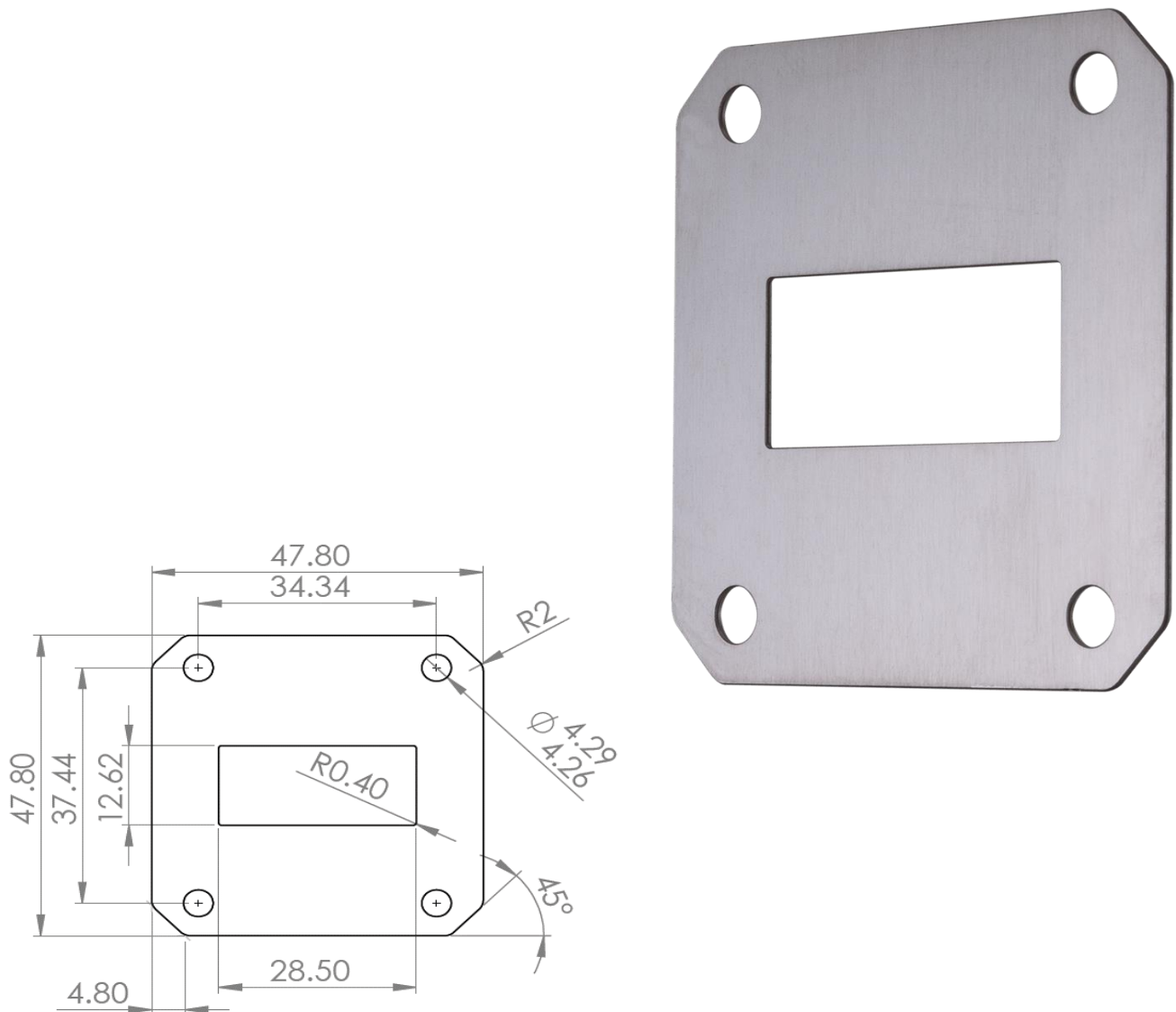


Product Specification

Waveguide Shims - with Flat Flange Faces for use in rectangular waveguide systems. Ideal for use sandwiched between two grooved flanges.



Part Number: WS15B/M

Description

Product Type:	Plain Shim
Waveguide Size:	WG15 / WR112 / R84
Flange Face:	15B (UG51/U) / 15M (UBR84)
Material:	Stainless Steel
Thickness:	0.6 mm
Accessories:	None