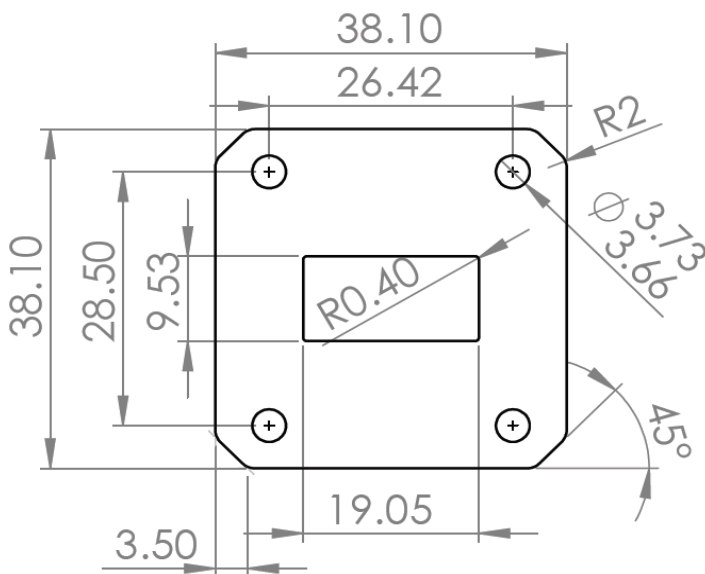


flexiguide

Product Specification

Waveguide Shims - with Flat Flange Faces for use in rectangular waveguide systems. Ideal for use sandwiched between two grooved flanges.



Part Number: WS17B

Description

Product Type:	Plain Shim
Waveguide Size:	WG17 / WR75 / R120
Flange Face:	17B (MIL3922/53C-007)
Material:	Stainless Steel
Thickness:	0.6 mm
Accessories:	None