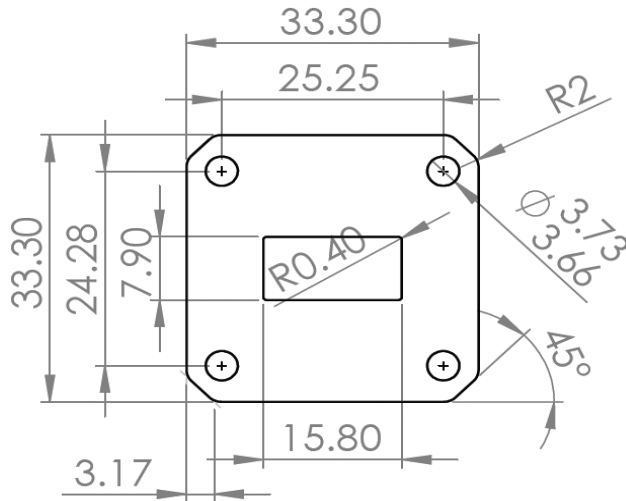


## Product Specification

**Waveguide Shims - with Flat Flange Faces for use in rectangular waveguide systems. Ideal for use sandwiched between two grooved flanges.**



**Part Number:** WS18B

### Description

Product Type:	Plain Shim
Waveguide Size:	WG18 / WR62 / R140
Flange Face:	18B (UG419/U)
Material:	Stainless Steel
Thickness:	0.6 mm
Accessories:	None