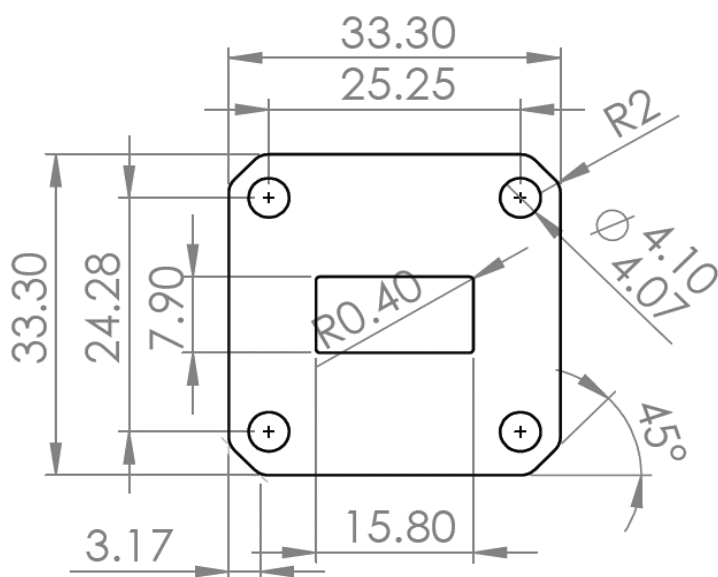


flexiguide

Product Specification

Waveguide Shims - with Flat Flange Faces for use in rectangular waveguide systems. Ideal for use sandwiched between two grooved flanges.



Part Number: WS18M

Description

Product Type:	Plain Shim
Waveguide Size:	WG18 / WR62 / R140
Flange Face:	18M (UBR140)
Material:	Stainless Steel
Thickness:	0.6 mm
Accessories:	None