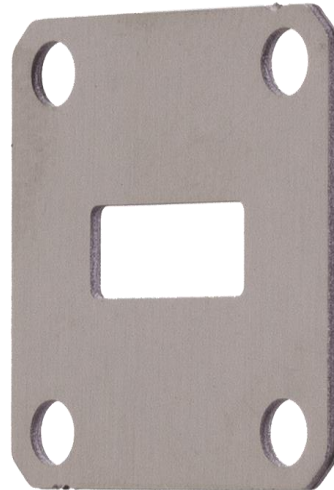
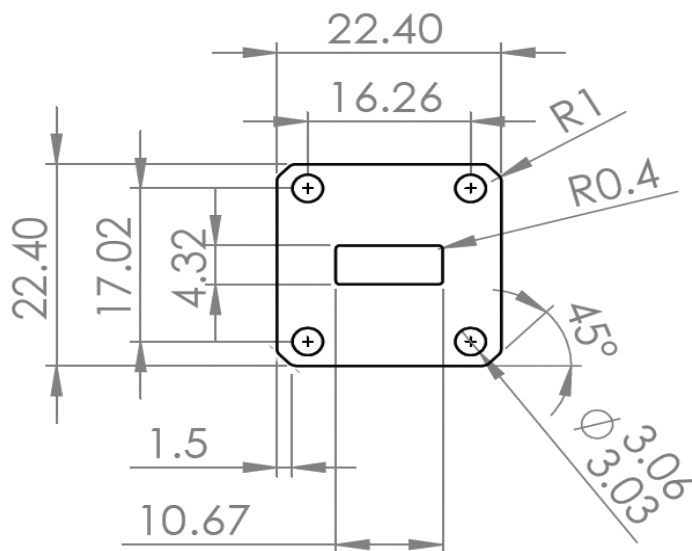


flexiguide

Product Specification

Waveguide Shims - with Flat Flange Faces for use in rectangular waveguide systems. Ideal for use sandwiched between two grooved flanges.



Part Number: WS20B/M

Description

Product Type:	Plain Shim
Waveguide Size:	WG20 / WR42 / R220
Flange Face:	20B (UG595/U) / 20M (UBR220)
Material:	Stainless Steel
Thickness:	0.6 mm
Accessories:	None