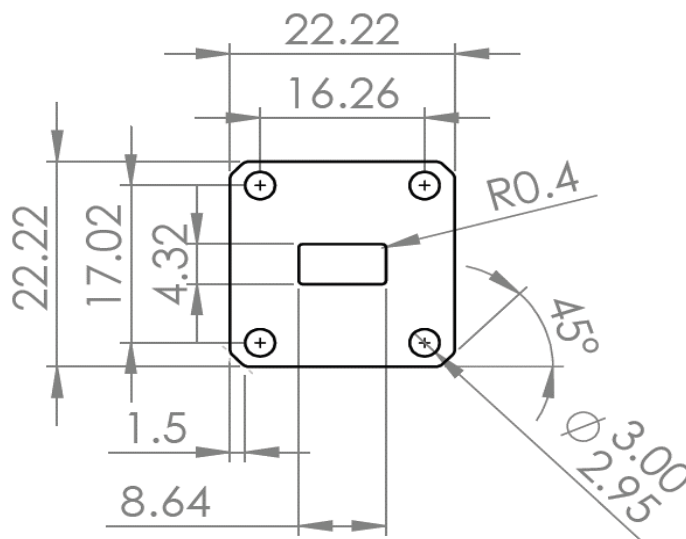


Product Specification

Waveguide Shims - with Flat Flange Faces for use in rectangular waveguide systems. Ideal for use sandwiched between two grooved flanges.



Part Number: WS21B

Description

Product Type:	Plain Shim
Waveguide Size:	WG21 / WR34 / R260
Flange Face:	21B (UG1530/U)
Material:	Stainless Steel
Thickness:	0.6 mm
Accessories:	None